



VALLONE

BATHTUBS
FREE STANDING
INSTALLATION
INSTRUCTIONS



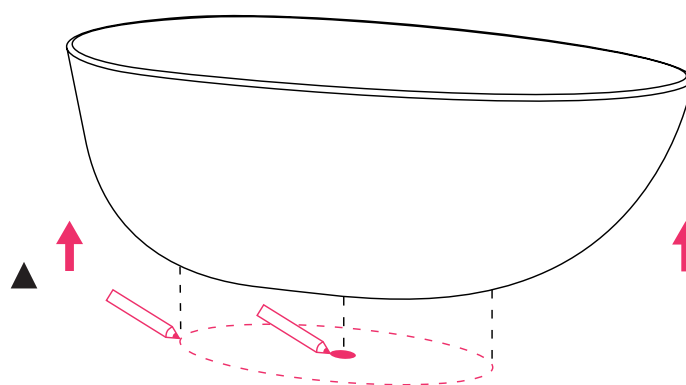


VALLONE

FOODPRINT AND BATHTUB PREPARATION

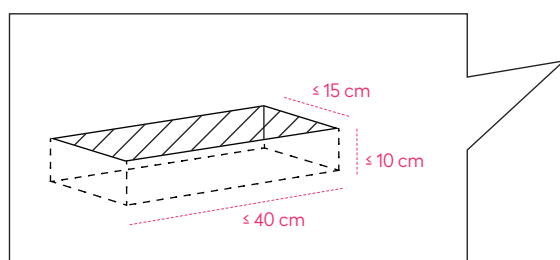
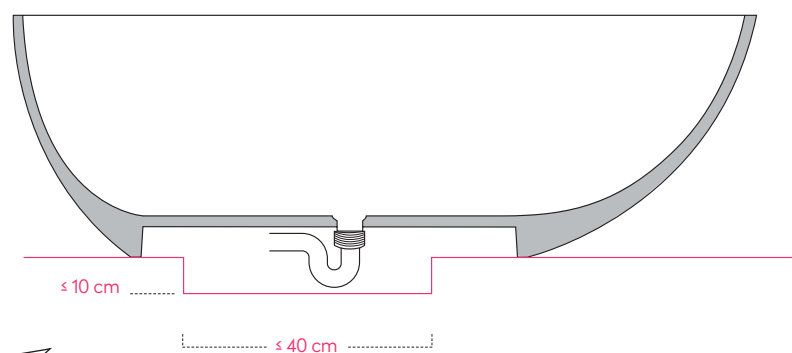
1

Draw an outline on the floor to mark the desired position of your bathtub. Also, mark the position of the drain.



2

All VALLONE® bathtubs are equipped with a heightened bottom to facilitate the installation of the drainage system. In order to prepare the installation of the siphon, leave out a 10 cm deep indentation at the position of the drain.





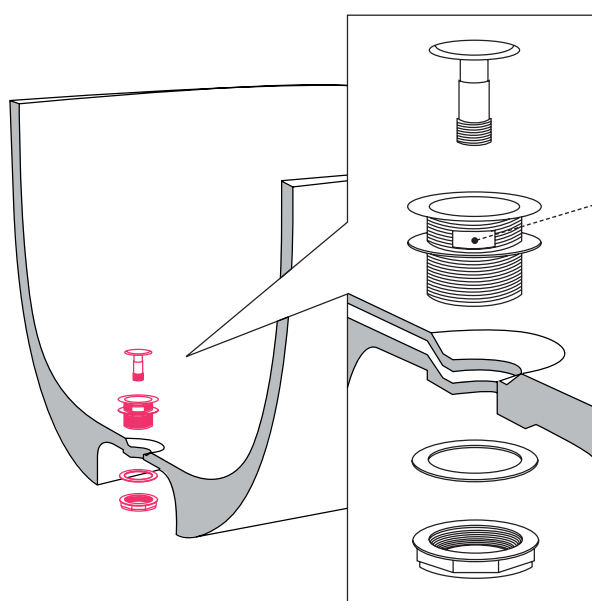
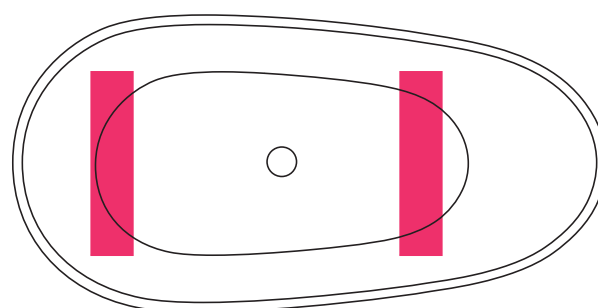
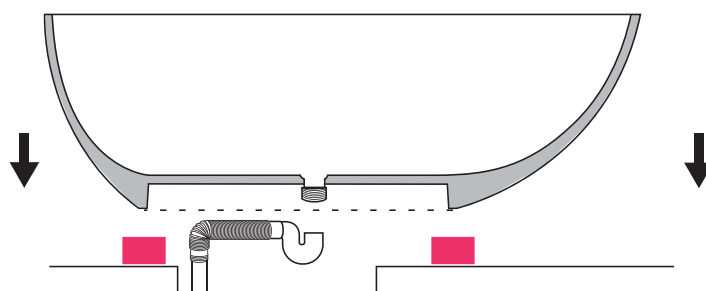
VALLONE

BATHTUB INSTALLATION

3

Position the bathtub onto two wooden beams to connect the bathtub drain with the siphon.

Make sure the footprint is being kept clean, at all time. Any impurification will complicate the process.



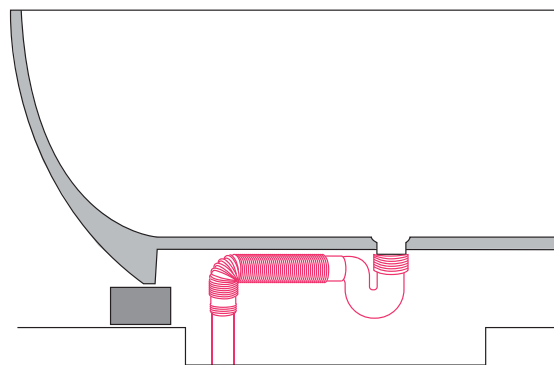
OVERFLOW PROTECTION

4

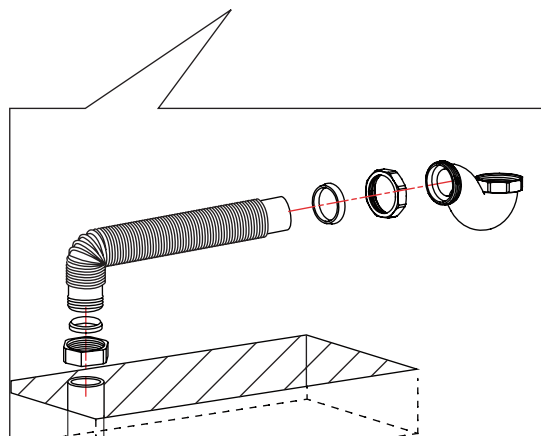
Once the tub is aligned, you can implement the Push-Open fastener along with the integrated overflow protection into the drain. Make sure the overflow protection is placed into the direction of the overflow valve of your tub. The fastener should not be applied too tight.

5

Now you can connect the tub with the siphon (1½" thread) and the drain. Use a flexible tube to connect the bathtub to the drain, otherwise issues with the liquid tightness may occur. We recommend you to purchase flexible tubes from a sanitary specialist to ensure long-lasting quality. Once the installation is completed successfully, a tightness inspection has to be performed by a specialist.

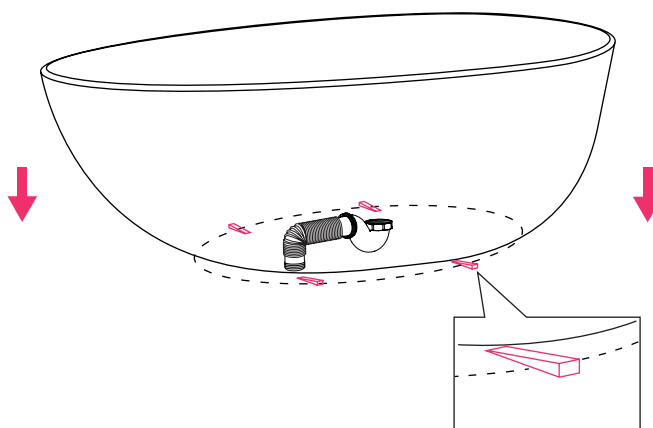


To make sure that the thread is optimally sealed, we advise to additionally use a seal and socket kit. Alternatively, you can also use Teflon tape or hemp.



6

After completing steps 1 to 5 the wooden beams can be replaced carefully by 4 small, evenly spread wedges. The wedges should slightly lift the tub.



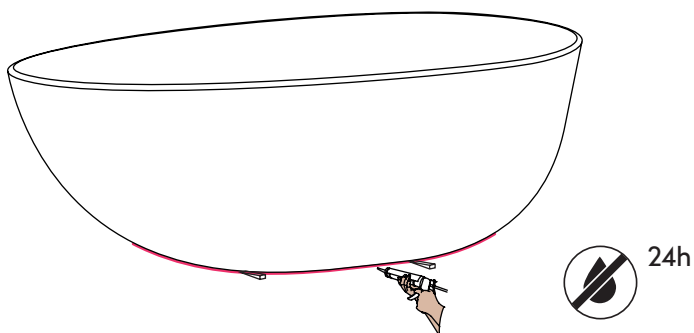


VALLONE

BATHTUB INSTALLATION

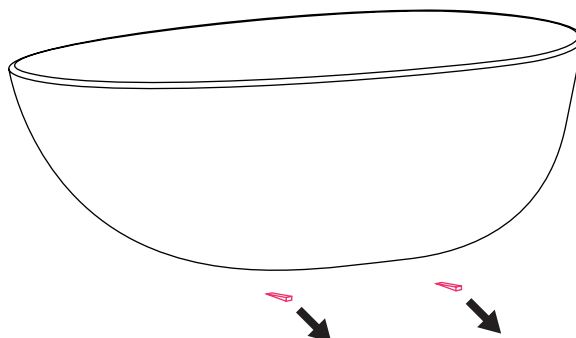
7

Fixate the space between tub and floor by using waterproof caulk (e.g. silicon) to avoid water to stream underneath your bathtub. Afterwards, let the caulk dry for at least 24 hours. Due to the relatively high deadweight of our tubs, there is no further fixation required.



8

As a last step, remove the wedges and caulk the remaining gaps as well.



PLEASE NOTE:

Every installation should be performed by a specialist who is aware of all legal requirements. Please also note that major floor damages will negatively affect the stability of your bathtub. We are careful to point out that VALLONE® is not liable for inappropriate usage.

CLEANING AND MAINTENANCE

GENERAL INFORMATION: scratches, lines, bubbles, and any other imperfections at the bottom of your tub (not visible after set-up) do not affect the function of the bathtub and are not considered to be flaws.

CLEANING: All VALLONE® products can easily be cleaned with acid-free cleansers. For regular cleaning use a wet cloth (no microfiber). We recommend you to immediately remove any impurification, especially hair colorant, with water (under 65°C). Severe impurifications should be removed with a scratch-free sponge. Clean the affected area by using circuiting motions and rinse out with water. Afterwards, dry the area with a soft cloth.

MAINTENANCE: Velvet Stone™ by VALLONE® is a highly resilient and firm material. Especially our matt products prove to be very easy-to-handle. You can carve out any scratches or spots that cannot be removed through cleaning by using fine sand paper (1000 – 2000 grade grit) without to harm the material. Please notice that the process for glossy surfaces differs in a way that you have to grind wet (1000 – 2000 grade grit sand paper) and polish the area with smooth polishing compound afterwards.