

## PRODUKTINFORMATIONEN PRODUCT INFORMATION

---

**BESCHREIBUNG**  
DISCRIPTION

DOPPELTER WANDHAKEN AUS EDELSTAHL  
DOUBLE WALL HOOK MADE OF STAINLESS STEEL

---

**ARTIKELNUMMER**  
ITEM NUMBER

SCHWARZ MATT  
BLACK MATT

1900-70-09-MB

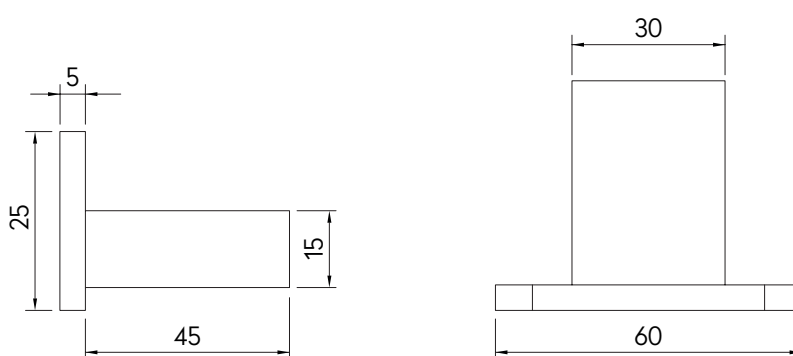
WEISS MATT  
WHITE MATT

1900-70-09-MW



## MASSE DIMENSIONS

---

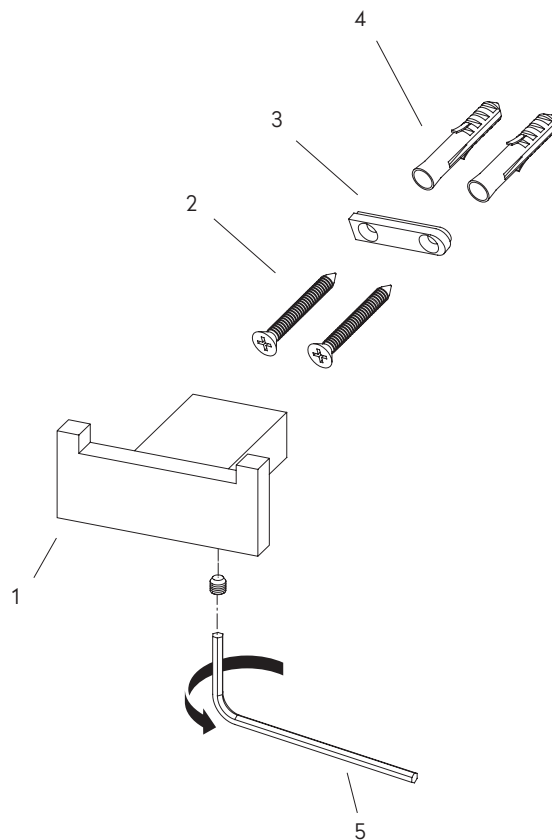


# add 09



## MONTAGE INSTALLATION

---



- 1 WANDHAKEN  
WALL HOOK
- 2 SCHRAUBEN  
SCREWS
- 3 HALTEBLECH  
RETAINING PLATE
- 4 DÜBEL  
DOWELS
- 5 INNENSECHSKANTSCHLÜSSEL  
ALLEN KEY